

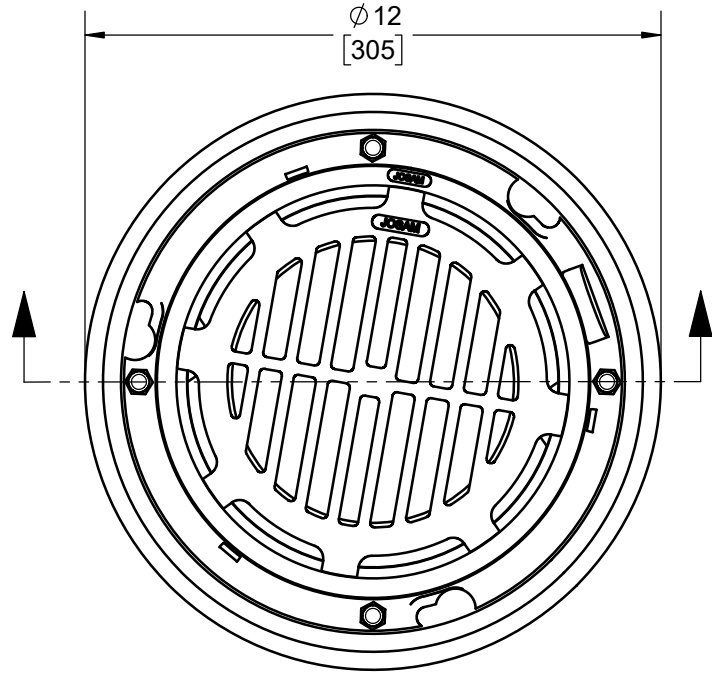
**SPECIFICATION:**

JOSAM SERIES 32106-AE COATED CAST IRON LEVELEZE FLOOR DRAIN, BODY WITH DOUBLE DRAINAGE FLANGE, WEEPHOLES, NON-PUNCTURING CLAMP COLLAR, 6" NO-HUB BOTTOM OUTLET, ROUND TOP, ADJUSTABLE COLLAR, AND MEDIUM-DUTY, LOOSE-SET ANTI-TILTING SUPER-FLO GRATE.

**DRAIN**  
 9" ROUND ADJ. TOP,  
 6" OUTLET

SERIES **32106-AE**

SLOT WIDTH = 15/32"  
 FREE AREA = 27 SQ. IN.  
 (-1 & -2 SLOT WIDTH = 1/4")

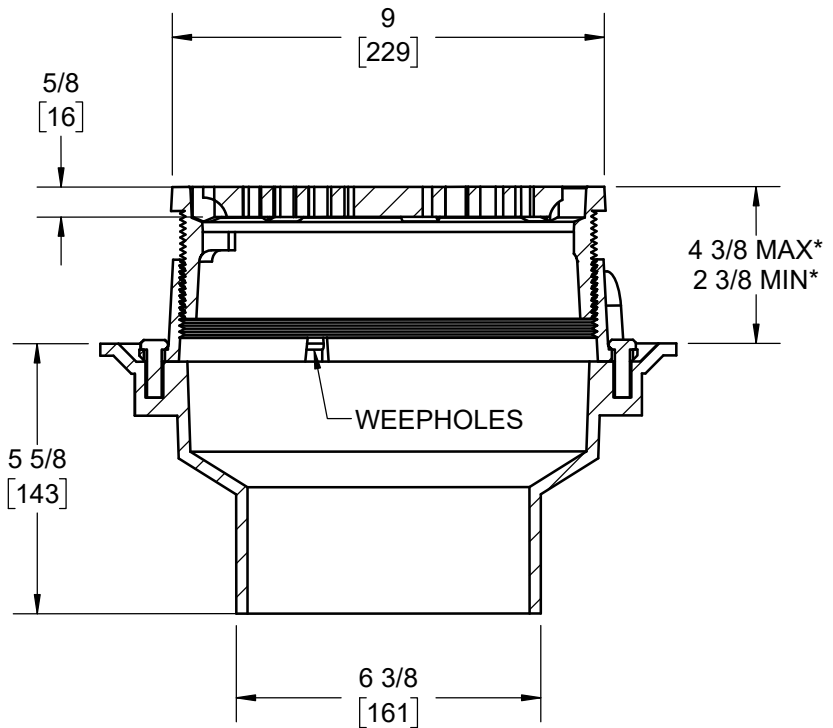


PRODUCT IS NON-CANCELABLE  
 AND NON-RETURNABLE

NAME: \_\_\_\_\_

SIGNATURE: \_\_\_\_\_

DATE: \_\_\_\_\_



\* ADD 1/4" WHEN FURNISHED WITH -1 OR -2 TOP

\*\* 5/8 SLOT WIDTH, CI ONLY

**OPTIONS:**

-1	NIKALOY TOP
-2	BRONZE TOP
-11**	EXTRA-HEAVY DUTY GRATE - CI
-15	CHAINED GRATE
-VP	SECURED GRATE
-ARE	ACID-RESISTANT EPOXY CI
-49	3/4" TRAP PRIMER
-50	1/2" TRAP PRIMER
-92	GALVANIZED CI

NOTES:  
 MODIFIED ADJUSTABLE CLAMP COLLAR  
 MOD BODY FOR 9-3/4" BOLT CIRCLE  
 USE STD HEX BOLTS

WARNING: Cancer and Reproductive Harm - www.P65Warnings.ca.gov

DATE OF LAST CHANGE: 9/3/2024

DIMENSIONS ARE SUBJECT TO MANUFACTURERS TOLERANCES AND CHANGE WITHOUT NOTICE. WE CAN ASSUME NO RESPONSIBILITY FOR USE OF SUPERSEDED OR VOID DATA.



MICHIGAN CITY, INDIANA

NOTES