

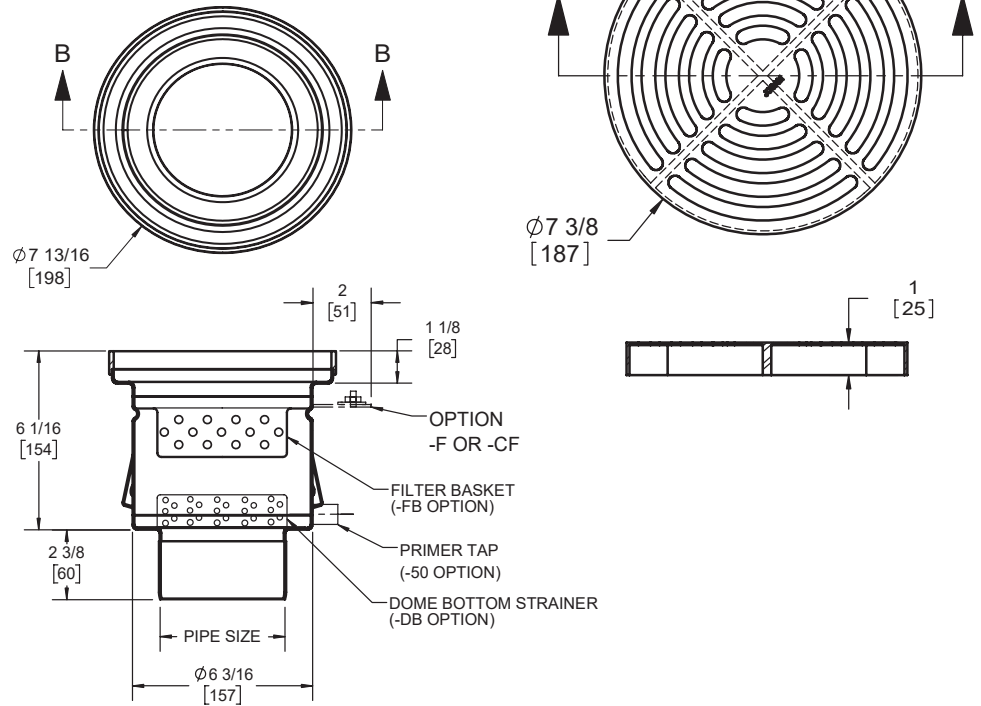
42430

SS Drain

8" Round Top, 6" Deep Specification

Josam series 42430 fabricated stainless steel (type 304), 8" round top, 6" deep, with no-hub bottom outlet, anchor tabs and perforated SS grate (standard).

STANDARD GRATE
FREE AREA = 18.4 IN²
MEETS ADA AND HEEL-PROOF REQMT.



OPTIONS:

-FB	Filter basket
-SB	Sediment bucket
-VP	Secured grate
-50	1/2" primer tap
* -BW	Butt-weld outlet (spec. 10, 40, 80)
-T	Threaded outlet
-PFO	Push-Fit outlet size
* -316	Type 316L material
-F	Flange only
-CF	Clamp and flange

-DB	Dome bottom strainer
* -WP	Weepholes 1/8" (3x)
-NG	No grate
-HG	Perf. Half grate
-3Q	Perf. 3/4 grate
-MG	Mesh, anti-slip grate
-LG	Ladder grate
-SG	Perimeter slot grate
-SK	Sealed cover w/eyebolt key
-SV	Sealed cover w/vacuum handle

Model	Pipe size
42432	2"
42433	3"
42434	4"

* Product is non-cancellable and non-returnable

Name: _____ Signature: _____ Date: _____ *

Josam product specifications in U.S. customary units are approximate and provided for reference only. For precise measurements, please contact Josam Technical Support. Josam reserves the right to change or modify product design, construction, specifications, or materials without prior notice and without incurring any obligation to make such changes and modifications on Josam products previously or subsequently sold.

Notes:



A WATTS Brand